

SIMOPRIME



Air-insulated Medium-Voltage Switchgear Up to 24 kV



SIMOPRIME

Technology
Partner

SIEMENS

تهران، بزرگراه شیخ فضل ا... نوری، خیابان سازمان آب، خیابان حاجی پور امیر، کوچه مهدی، پلاک ۱
No.1, Mahdi Alley, Haji Pour Amir St., Sazman Aab Ave., Sheikh Fazlollah Nouri Highway, Tehran, IRAN

Email info@tmb-co.com

فکس ۰۲۱۸۸۲۶۰۷۰۷

تلفن ۰۲۱۸۷۷۴۰

کدپستی ۱۴۵۴۶۴۳۶۸۵

Web www.tmb-co.com

Fax 98 21 8826 0707

Tel 98 21 87740

P.O Box 1454643685

▶ BENEFITS

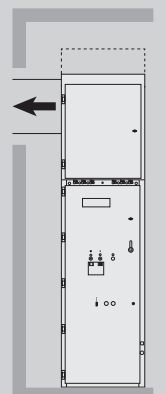
- Highest loss of service continuity of the switchgear (LSC2B according to IEC 62271-200) during maintenance.
- Internal arc tested design according to IEC 62271-200.
- AFLR internal arc classification (AIC).
- Interlocking between high-voltage door and switching devices.
- Metallic, earthed shutter & partitions (PM partition class).
- Rack-in, rack-out operation of the VCB truck with HV door closed.
- Use of maintenance-free vacuum circuit breakers.
- All switching operations including emergency manual operations with high-voltage door closed.

TECHNICAL SPECIFICATION

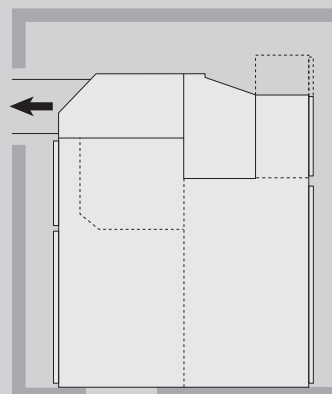
Rated voltage	kV	7.2	12	17.5	24
Rated frequency	Hz	50/60	50/60	50/60	50/60
Rated short-duration power-frequency withstand voltage	kV	20	28	38	50
Rated lightning impulse withstand voltage	kV	60	75	95	125
Rated short-time withstand current in 3 s	kA	40	40	40	25
Rated peak withstand current at 60/50 Hz	kA	100/104	100/104	100/104	63
Rated short-circuit breaking current	kA	40	40	40	25
Rated short-circuit making current at 60/50 Hz	kA	100/104	100/104	100/104	63
Rated normal current of busbar	A	3,600	3,600	3,600	2,500
Rated normal current of feeders	A	3,600	3,600	3,600	2,500
• with circuit breaker	A	400	400	-	-
• with vacuum contactor	A	as per fuse	as per fuse	as per fuse	as per fuse
• with load break switch	A				



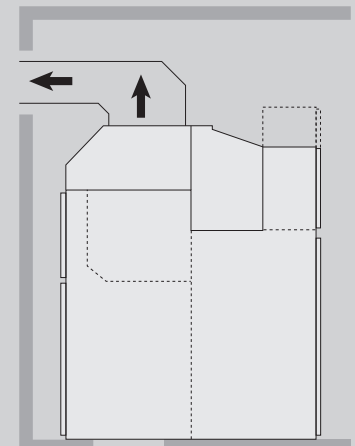
Pressure relief out of the switchgear room through a pressure relief duct



Lateral pressure relief duct

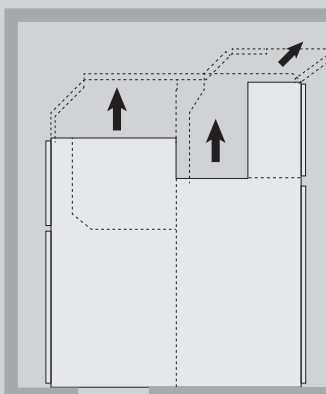
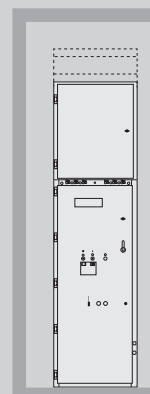


Rear pressure relief duct



Upper pressure relief duct

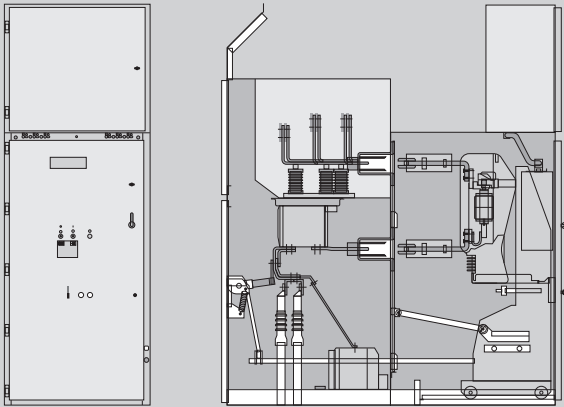
Pressure relief into the switchgear room with/without flaps



▶ BASIC PANEL DESIGN & OPERATION

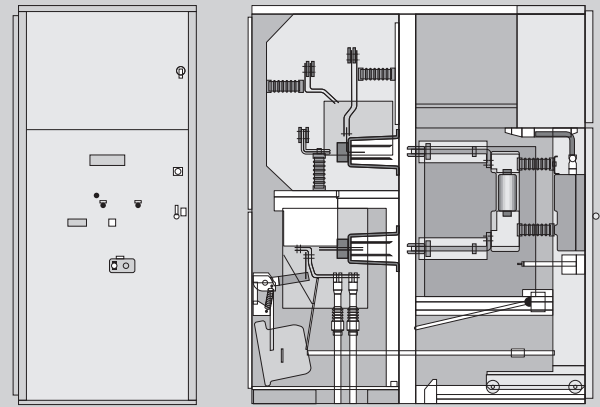
SIMOPRIME World

Up to 17.5 kV

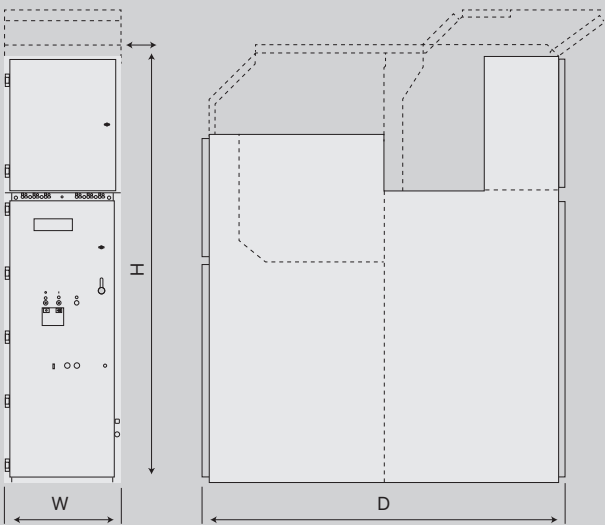


SIMOPRIME A4

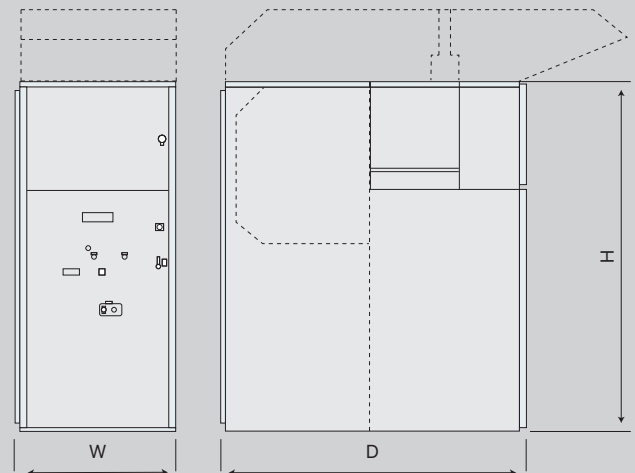
Up to 24 kV



DIMENSION



DIMENSION



Rated short-time with stand current	Up to 31.5 kA	Up to 40 kA
-------------------------------------	---------------	-------------

Width (mm)

≤1,250 A	600	800
2,500 A, 3,150 A, 3,600 A	800	800
Contactur panel	600	435

Height (mm)

With standard low-voltage compartment & IAC 0.1 s	2,253
---	-------

Depth (mm)

Standard	1,860
----------	-------

Rated short-time with stand current	Up to 25 kA
-------------------------------------	-------------

Width (mm)

for 1,250 A	800
for 1,250 A	1,000
Lead break switch	500

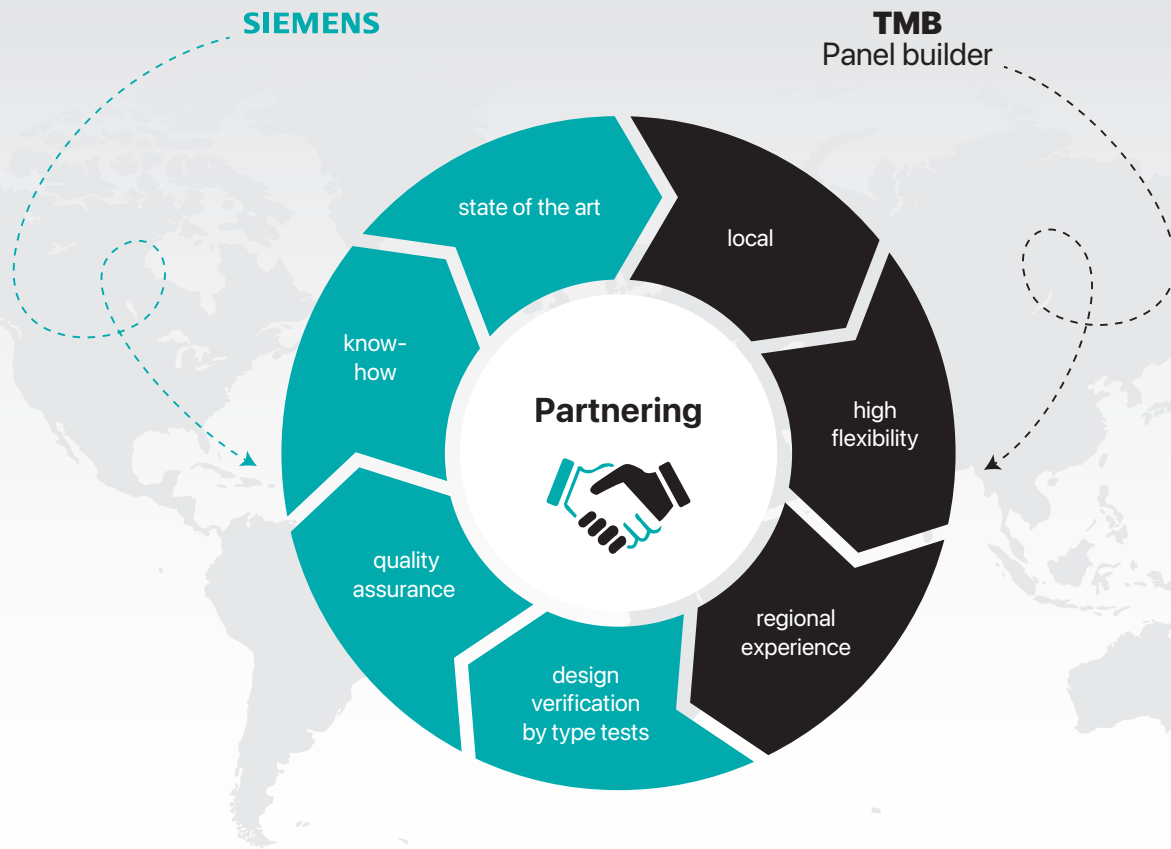
Height (mm)

With standard low-voltage compartment & IAC 0.1 s	2,250
---	-------

Depth (mm)

Standard	1,900
----------	-------

▶ PARTNERING CONCEPT



▶ STANDARDS

	IEC standard	VDE standard	DIN / EN standard
SIMOPRIME switchgear	IEC 1-62271	VDE 1-0671	DIN / EN 1-62271
	IEC 200-62271	VDE 200-0671	DIN / EN 200-62271
Internal arcing tests	IEC 200-62271	VDE 200-0671	-
Devices			
Circuit breaker	IEC 100-62271	VDE 100-0671	DIN / EN 100-62271
Vacuum contactor	IEC 60470	VDE 501-0670	DIN / EN 106-62271
Disconnecter and earthing switch	IEC 102-62271	VDE 102-0671	DIN / EN 102-62271
HV HRC fuses	IEC 60282	VDE 4-0670	DIN / EN 103-62271
Voltage detecting systems	IEC 5-61243	VDE 415-0682	DIN / EN 105-62271
Internal arc classification	IEC 200-62271	VDE 200-0671	DIN / EN1-60282
Degree of protection	IEC 60529	VDE 1-0470	DIN / EN 5-61243
	IEC 200-62271	VDE 200-0671	DIN / EN 60529
Current-carrying capacity	IEC 1-62271	VDE 1-0671	DIN / EN 1-62271
	IEC 200-62271	VDE 200-0671	DIN / EN 200-62271
Insulation	IEC 60071	VDE 0111	DIN / EN 2-61869
Current transformer	IEC 2-61869	VDE 1-0414	DIN / EN 3-61869
Voltage transformer	IEC 3-61869	VDE 2-0414	DIN / EN 1-61936
Installation	IEC 62271	VDE 0101	-